

# 360-A Tank Cleaning Nozzle



## BRIEF DESCRIPTION OF THE DRAWINGS

Figure 1 Schematic diagram of the decomposition structure of the 360-A bottle cleaning nozzle

Figure 2 Schematic diagram of the external structure of the 360-A bottle cleaning nozzle

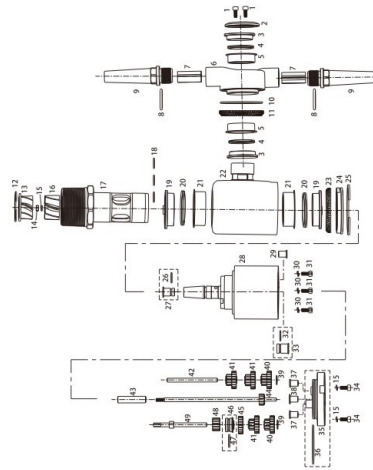
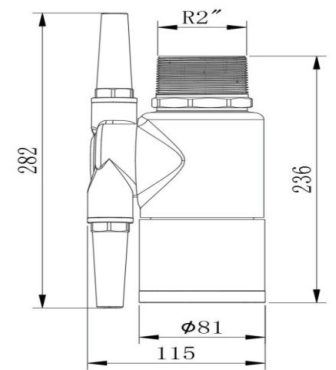


Figure 1

Figure 2



## Working principle

The upper impeller (13) is mounted inside the connecting rod (17) and fixed with a clamping spring, the lower impeller (16) is assembled with the shaft assembly (44) and locked, after water enters the 360-A style bottle and tank from the pump, it generates swirling flow through the fixed upper impeller (13), enters the lower impeller (16), then enters the connecting rod (17), and then enters the Y-main body (22), through the X-body (6), the jet is ejected from the nozzle body (9), through the rotating water flow of the upper impeller (13) to drive the shaft feed (44) to rotate, and fixed gears are installed below the shaft assembly (44). The gears of the shaft assembly (44) drive the gears of 40, 41, 45, 48 and 24, the inner gear (24) is fixed with the y-body (22), which drives the Y-body (22) to rotate 360 degrees around the axis perpendicular to the ground; In 360 - A type of water inside the bottles from the two directions of the nozzle body (9) in spraying, rotating force due to water flow in two directions, so that the X-ray (6) around the Y - subject (22) parallel to the surface of shaft direction, X - (6) and the Y - subject (22) is equipped with A bevel gear meshing, the X - (6) around the Y - subject (22) transmission is more stable, this 360 - A type container has realized the two directions of transmission, achieve 360 degrees cleaning.

## Detailed parameters:

- Processing customized: : Yes
- Material: 316L
- Installation type: Male thread connection
- Working temperature: 300 ℃
- Working pressure: 3-14 bar
- Medium: liquid
- Range of application: Environmental protection, cleaning, purification, coating

## Advantages and features

- Clean large tank from 8 m to 40 m.
- With unique and precise rotating mechanism(rotating through 47-49).
- The nozzle rotates 360° around the horizontal and vertical axes at the same time, and a dense mesh is made in the container to ensure that every corner of the container is thoroughly cleaned by the high-impact water flow.
- Pressure range: 1-21bar, suggest to run it under 7-13bar.
- Flow rate range: 6-50ton/h
- Cleaning time is from 5min. to 35min..
- Connection size: 1-1/2 to 2inch flange or pipe thread(BSPT,NPT)