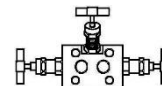


ВОЗДУХОРАСПРЕДЕЛИТЕЛИ АНСС

ВОЗДУХОРАСПРЕДЕЛИТЕЛЬНЫЕ МАНИФОЛЬДЫ СЕРИИ АНСС

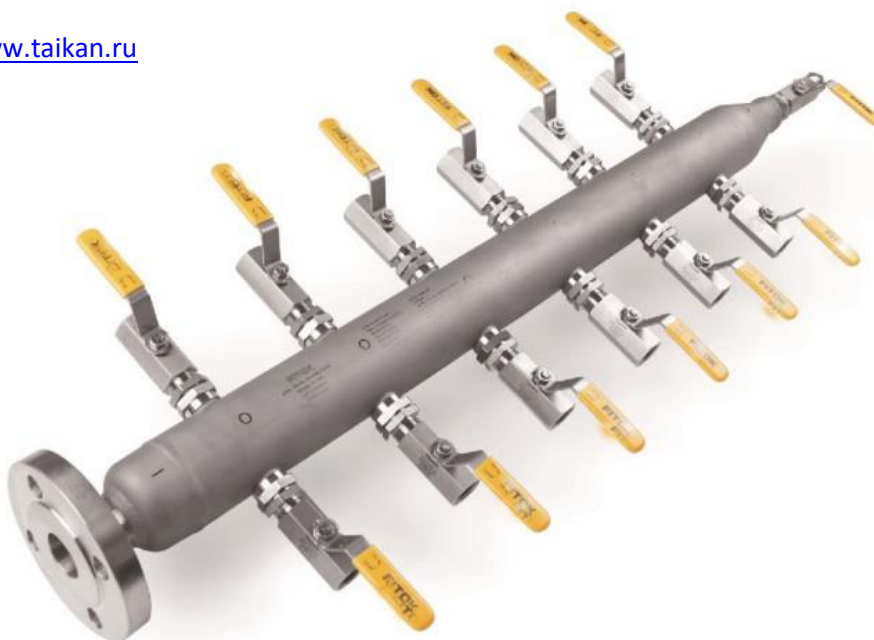


ООО «Тайкан», 121614, г. Москва, ул. Крылатские Холмы 35, корп. 1

Тел: +7 (985) 585-55-55, Тел: +7 (495) 643-00-84

е-mail: info@taikan.ru <http://www.taikan.ru>

Производство Китай



Информация для заказа:

AHS4 - FNS12Y - 4ML10Y - VFNS8 - U - F2

Series	Main Line Material	Inlet Type	Inlet Size	Inlet Valve	Number of Outlets	Outlet Type	Outlet Size	Outlet Plug	Vent Valve/Plug	Vent Type	Vent	Handle Type	Cleaning and Packaging
AH	S4 304 SS	FNS Female NPT	8 1/2"	No	4	FNS Female NPT		No	Plug	FNS Female NPT	8 1/2" or 8 mm	Stainless steel bar handle with Yellow Vinyl Cover	FC-01
	4L 304L SS	FRT Female BSTP	12 3/4"	Y Yes	6	NS Male NPT		Y Yes	V Valve	NS Male NPT	10 M10x1 or 10 mm	Stainless Steel Bar Handle with Lock	F2 FC-02
	SS 316 SS	AM Class 150 RF Flange	16 1"		8	ML Metric Tube Fitting			VP Valve with Plug	ML Metric Tube Fitting	12 3/4" or 12 mm		
	6L 316L SS	AET Class 300 RF Flange	20 1 1/4"		10	FL Fractional Tube Fitting				FL Fractional Tube Fitting	14 M14x1.5 or 14 mm	Black Aluminum Lever Handle	
		DE PN 16 RF Flange	24 1 1/2"		12	MS Male Metric Thread (for RG)	4 1/4"			MS Male Metric Thread (for RG)			
		DM PN 25 RF Flange	32 2"		14	BP Male BSPP (for RG)	6 3/8" or 6 mm			BP Male BSPP (for RG)			
		DMT PN 40 RF Flange					8 1/2" or 8 mm						
							10 M10 x 1 or 10 mm						
							12 3/4" or 12 mm						
							14 M14 x 1.5 or 14 mm						

- Подробные каталоги с техническими характеристиками предоставляются по запросу

ООО «Тайкан»
 121614, г. Москва, ул. Крылатские Холмы 35, корп. 1
 Тел: +7 (985) 585-55-55
 Тел: +7 (495) 643-00-84
 е-mail: info@taikan.ru
<http://www.taikan.ru>

AIR HEADERS AND DISTRIBUTION MANIFOLDS

Features

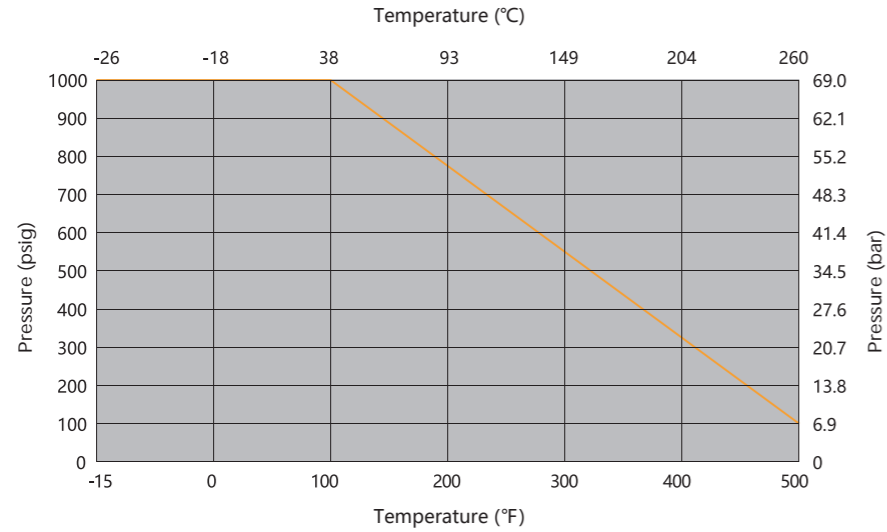
- Distribution lines available upon request
- Ball valve, plug valve, needle valve available for distribution lines and drain port
- Color coded handles available
- Leak-tight performance testing for every valve under nitrogen condition at the maximum working pressure



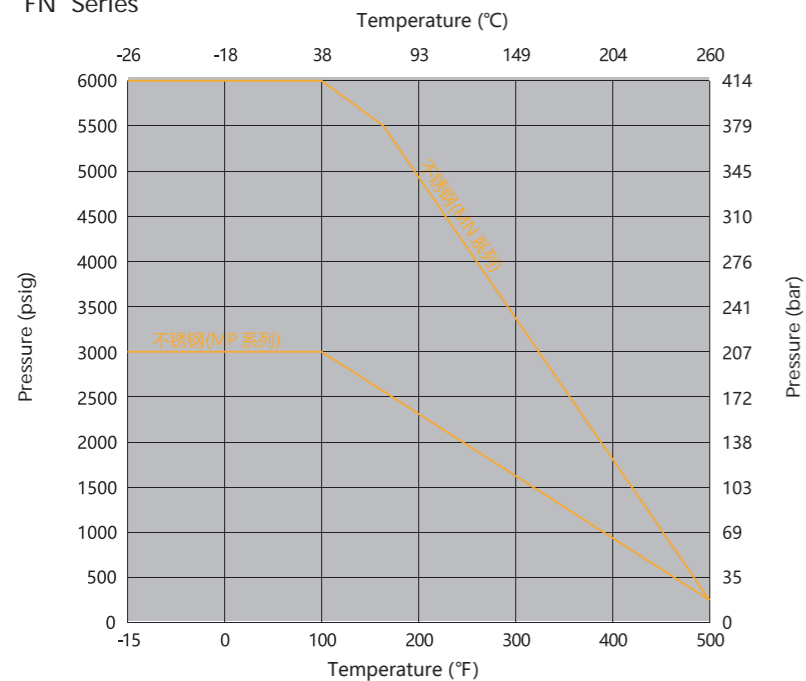
Pressure vs. Temperature

Air Headers

EB Series

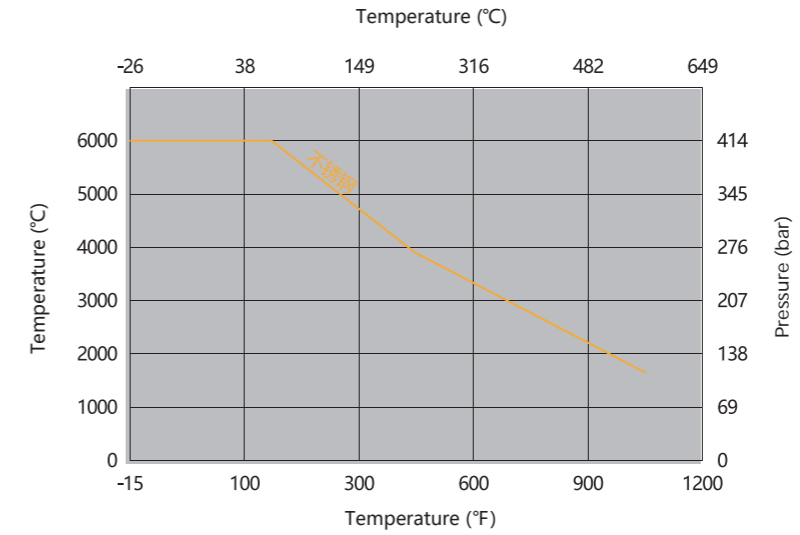


FN Series



Distribution Manifolds

CB Series



End Connections

EB, FN Series

Part	Type	Size	Standard
Inlet Connection	Male NPT	1/2, 3/4, 1	ASME B 1.20.1, GB/T 12716
	Female NPT		
	Female BSP Tapered		
	Female BSP Parallel		
	Flange	Class 150, Class 300 PN16, PN40	ANSI B 16.5 GB/T 9115.1, DIN 2634
Outlet Connection	Male NPT	1/4, 1/2	ASME B 1.20.1, GB/T 12716
	Female NPT		
	Fractional Tube Fitting	1/2"	BESTOK Tube Fitting
	Metric Tube Fitting	12mm	
Drain Connection	Female NPT	1/4, 1/2	ASME B 120.1, GB/T12716
	Male NPT		

1. Sizes and types listed are standard. Other sizes and types are available upon request

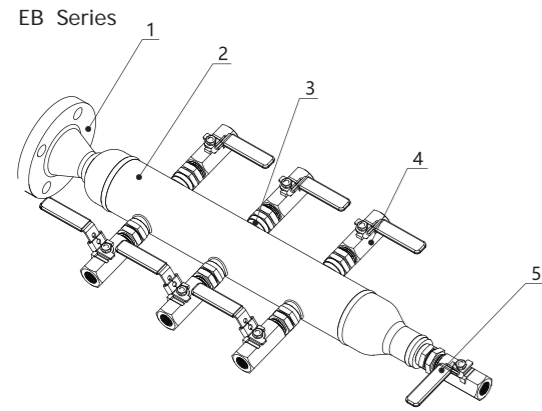
CB Series

Part	Type	Size	Standard
Inlet Connection	Female NPT	1/2, 3/4, 1	ASME B 120.1, GB/T 12716
Outlet Connection	Female NPT	1/4, 3/8, 1/2	
Drain Connection	Female NPT	1/2, 3/4, 1	

1. Sizes and types listed are standard. Other sizes and types are available upon request

Construction

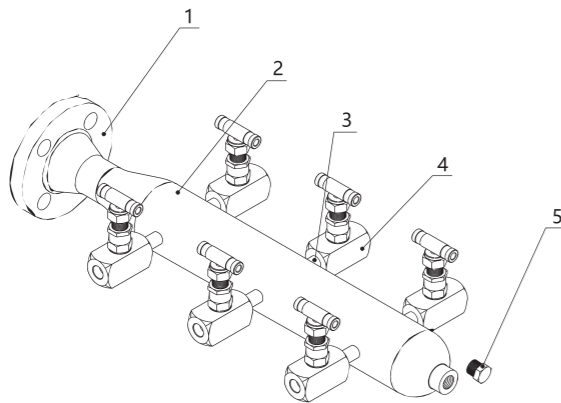
Air Headers



Standard Materials of Construction

Item	Component	Material/ASTM Specification Stainless Steel	
1	Inlet Valve	BG Series Ball Valve	
	Flange	304 SS/A182	316 SS/A182
2	Main Line	304 SS/A312	316 SS/A312
3	Branch Fitting	304 SS/A276	316 SS/A276
4	Distribution Valve	BD series ball valve as standard option	
5	Drain Valve	BX series ball valve as standard option	
	Plug	304 SS/A276	316 SS/A276

FN Series



Standard Materials of Construction

Item	Component	Material/ASTM Specification Stainless Steel	
1	Inlet Valve	NB Series Ball Valve	
	Flange	304 SS/A182	316 SS/A182
2	Main Line	304 SS/A312	316 SS/A312
3	Branch Fitting	304 SS/A276	316 SS/A276
4	Distribution Valve	TN1 series ball valve as standard option	
5	Plug	304 SS/A276	316 SS/A276
	Drain Valve	NF series ball valve as standard option	

Optimized Setting of the Main Pipe and the Branch

Main Line Size	Quantity of Distribution Valves	Distance Between Two Outlets (mm)
NPS 2 (Sch 10)	6	100
	12	

1. Quantity of distribution valves listed is standard. Other types are available upon request.

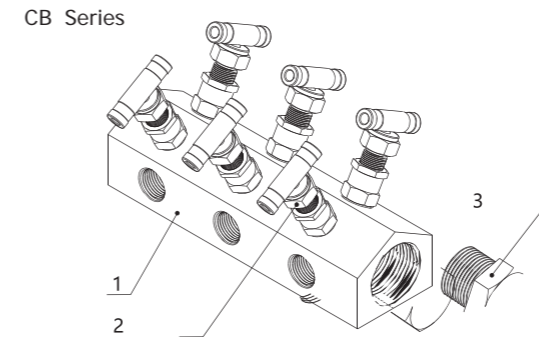
Optimized Setting of the Main Pipe and the Branch

Main Line Size	Quantity of Distribution Valves	Distance Between Two Outlets (mm)
NPS 2 (Sch 160)	6	100-150*
	12	

*Distance between two outlets are determined by the distribution valves.

1. Quantity of distribution valves listed is standard. Other sizes and types are available upon request.

Distribution Manifolds



Standard Materials of Construction

Item	Component	Material/ASTM Specification Stainless Steel	
1	Main Line	304 SS/A479	316 SS/A479
2	Distribution Valve	TN1 series needle valve	
3	Drain Plug	304 SS/A276	316 SS/A276

Carbon steel and other materials are available upon request.

Optimized Setting of the Main Pipe and the Branch

Main Line Size	Quantity of Distribution Valves	Distance Between Two Outlets (mm)
4-18	1/4" female NPT	6

1. Quantity of distribution valve listed are standard. Other sizes and types are available upon request.

Ordering Number Description

A B C D E F G H I J K
SS - EB - AM 32 - 8 BD FN 8 - V FN 8

A	Body Material
SS=	316 SS
4S=	304 SS

B	Series
EB	Series

C	P1 Type
FN=	NPT female tapered threads
FRT=	ISO tapered female threads
AM=	Class 150 RF flange
AE=	Class300 RF flange

D	P1 Size
8=	1/2"
12=	3/4"
16=	1"
24=	1 1/2"
32=	2"

E	Exit quantity
4	
6	
8	
10	
12	

F	Exit Valve
	None
BD=	BD series Ball Valve
BX=	BX series Ball Valve

G	P2 Type
FN=	NPT female tapered threads
N=	NPT male tapered threads
M=	Metric Ferrule
F=	Fractional Ferrule

H	P2 Size
6=	3/8"(6mm)
8=	1/2"(8mm)
12=	3/4"(12mm)

I	Outlet valve/plug
	Default = with plug
V=	Valve
VP=	Valve with plug

J	Special application
FN=	NPT female tapered threads
N=	NPT male tapered threads
M=	Metric Ferrule
F=	Fractional Ferrule

K	Outlet size
6=	3/8"(6mm)
8=	1/2"(8mm)
12=	3/4"(12mm)