

FRH Series High Pressure Piston Line Pressure Regulator
Max.Inlet Pressure: 10000 psig.

Feature

- Maximum control pressure: 10000 psig
- Piston sensing design with greater outlet pressure adjustment range

Technical Data

- Maximum control pressure:
Stainless Steel :10000 psig
Brass:6000 psig
- Material of the internal components:
Seat: PEEK
Piston: 316
Filter: 316L
- Working temperature:-15°F~+165°F (-26°C~+74°C)
- Leak rate:
Internal: Bubble-tight
External: Bubble-tight
- Flow coefficient (Cv):0.05,0.2
- Weight:≈ 2.0 kg
- Body ports: inlet, outlet and pressure gauge ports -1/4"NPT female thread



Ordering Number Description

A B C D E F G H I

SS - FR1 - 3 - 50 - FN4 - B - B - FN4 - W

A	Body Material
SS	316 SS
HC	AlloyC-276

B	Series
FR1S	
FR2	
FR3	
FR4	
FRH	

C	Inlet Pressure Range
3	3000 psig
36	3600 psig
6	6000 psig
10	10000 psig

D	Outlet Pressure Range
25	0-25PSI
50	0-50PSI
100	0-100PSI
250	0-250PSI
500	0-500PSI
750	0-750PSI
1500	0-1500PSI
2500	30-2500PSI
4000	50-4000PSI
6000	60-6000PSI
10000	200-10000PSI

E	Inlet Size
FN4	1/4NPT Female NPT
FN8	1/2NPT Female NPT
F4	1/4" inch double ferrule fitting
F8	1/2" inch double ferrule fitting

F	Inlet pressure gauge port
B	Leave port with pressure gauge
0	No watch, no mouth
K	No gauge, no gauge port
PST	Leave the mouth open with a plug

G	Outlet pressure gauge port
	Specify in the same way as the P1

H	Outlet Size
FN4	1/4NPT Female NPT
FN8	1/2NPT Female NPT
F4	1/4" inch double ferrule fitting
F8	1/2" inch double ferrule fitting

I	Way to install
	Default=No special requirements
Y	Panel mounting
U	Bottom with bolt mounting

J	Circulation mode
	Default=Right in, left out
Fl	Left in, right out

K	Cleaning and Packaging
	Default = Standard cleaning and packaging for general industrial use
W	degreasing and oxygen-rich cleaning
W1	Normally open actuator

Non-standard products or customized product models are indicated separately by our technician for the model.

SEMICONDUCTOR & SPECIALTY GAS APPLICATIONS PRESSURE BACK PRESSURE REGULATOR

BPY Series Diaphragm Back Pressure Regulator
Maximum control pressure: 250 psig

Feature

- Excellent sensitivity and set point pressure stability
- Inner small volume
- Special cleaning and packaging processes for oxygen-rich environments

Technical Data

- Maximum control pressure:500 psig
- Material of the main components:
Seat: PCTFE,PTFE,PEEK
Diaphragm: 316L
- Working temperature:-40°F~+140°F (-40°C~+60°C)
- Leak rate(Helium):
Internal: Bubble-tight
External:≤1x10⁻⁹ mbar-l/s
- Flow coefficient (Cv): 0.06,0.2
- Weight:≈0.86kg
- Body ports: inlet, outlet and pressure gauge ports - 1/4" Female NPT



BPM Series Piston Back Pressure Regulator
Maximum control pressure: 1000 psig

Feature

- Excellent sensitivity and set point pressure stability
- Inner small volume
- Special cleaning and packaging processes for oxygen-rich environments

Technical Data

- Maximum control pressure:500 psig
- Material of the main components:
Seat: PCTFE,PTFE,PEEK
Diaphragm: 316L
- Work Tmperature:-40°F~+140°F (-40°C~+60°C)
- Leak rate: (Helium):
Internal: Bubble-tight
External:≤1x10⁻⁹ mbar-l/s
- Flow coefficient (Cv):1.1
- Body ports: inlet, outlet and pressure gauge ports - 1/4" and 1/2" Female NPT



BPM Series Piston Back Pressure Regulator
Maximum control pressure: 1000 psig

Feature

- Piston sensing design with greater pressure control range
- Inner small volume
- Special cleaning and packaging processes for oxygen-rich environments

Technical Data

- Maximum control pressure:3000 psig
- Material of the main components:
Seat: PCTFE,PTFE,PEEK
Diaphragm: 316L
- Working temperature:-15°F~+165°F (-26°C~+74°C)
- Leak rate:
Internal: Bubble-tight
External:Bubble-tight
- Flow coefficient (Cv):0.06, 0.2
- Weight:≈1.0kg
- Body ports: inlet, outlet and pressure gauge ports - 1/4" Female NPT



BPM Series Piston Back Pressure Regulator
Maximum control pressure: 1000 psig

Feature

- Piston sensing design with greater pressure control range
- Thrust ball bearings make handling easier

Technical Data

- Maximum control pressure:
Stainless steel: 10000psig
- Material of the main components:
Body:316 SS or brass
Seat: PEEK
Piston: 316L
- Working temperature:-15°F~+165°F (-26°C~+74°C)
- Leak rate:
Internal:Bubble-tight
External:Bubble-tight
- Flow coefficient (Cv):0.01,0.04,0.12
- Weight(Regulator):≈2kg
- Body ports: inlet, outlet and pressure gauge ports - 1/4" Female NPT



Ordering Number Description

A B C D E F G
SS - BPY -25 - FN4 - B -FN4 -W

A	Material
SS	=316 SS
HC	=Alloy C-276

B	Series
BPY	
BPO	
BPH	
BPM	

C	Inlet Pressure Range
10	=0-10PSI
25	=0-25PSI
50	=0-50PSI
100	=0-100PSI
250	=0-250PSI
500	=0-500PSI
1000	=0-1000PSI
2000	=0-2000PSI
2500	=0-2500PSI
6000	=0-6000PSI
10000	=0-10000PSI

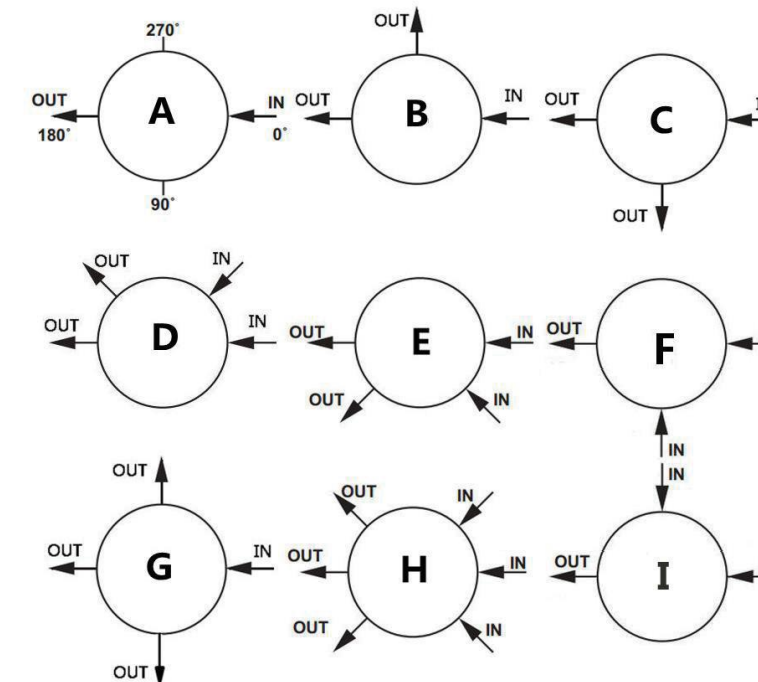
D	Inlet Size
FN4	=1/4NPT Female NPT
FN8	=1/2NPT Female NPT
F4	=1/4" inch double ferrule fitting
F8	=1/2" inch double ferrule fitting

E	Inlet pressure gauge port
B	=Leave port with pressure gauge
0	=No watch, no mouth
K	=No gauge, no gauge port
PST	=Leave the mouth open with a plug

F	Outlet Size
FN4	=1/4NPT Female NPT
FN8	=1/2NPT Female NPT
F4	=1/4" inch double ferrule fitting
F8	=1/2" inch double ferrule fitting

G	Cleaning and Packaging
	Default = Standard cleaning and packaging for general industrial use
W	= degreasing and oxygen-rich cleaning
W1	=Normally open actuator

Non-standard products or customized product models are indicated separately by our technician for the model.



Orifice configuration (Note: If there are special requirements of orifice configuration, customization is available.)